
Comfort-Cire®

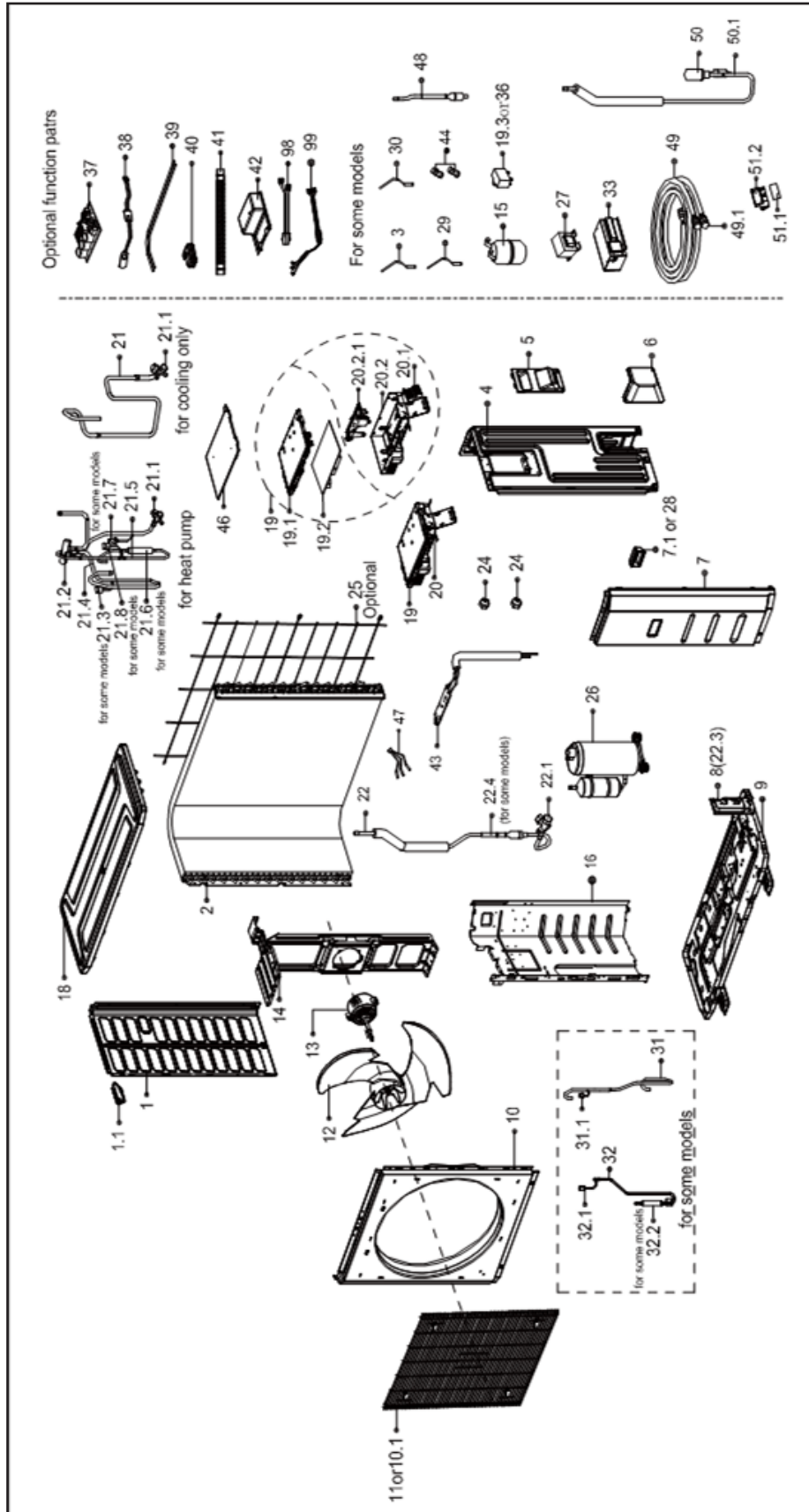
Century®

PARTS LIST

**Inverter Multi Zone
Ductless Mini-Split**

VMH30SG-1

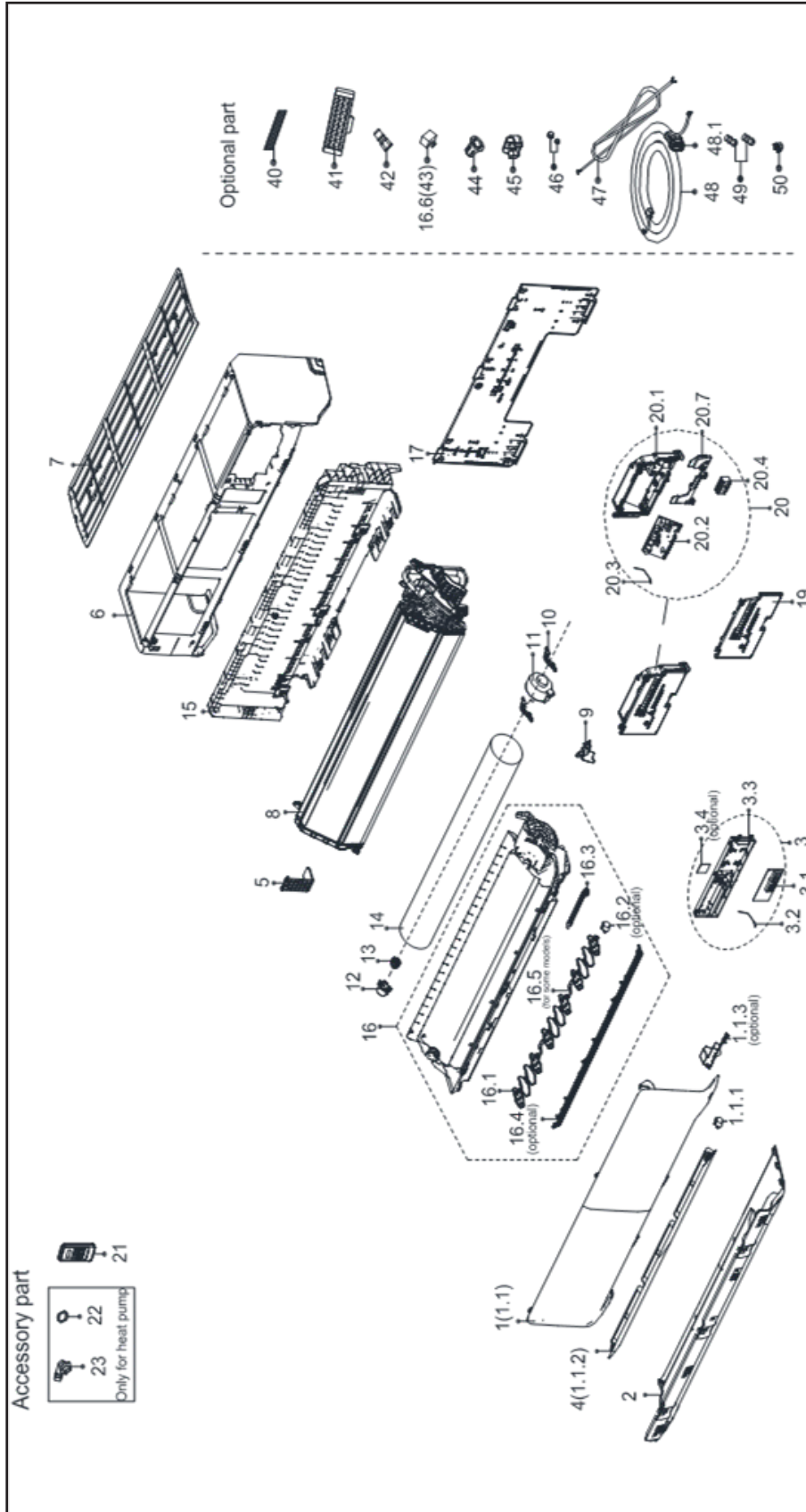
EXPLODED VIEW - A-VMH30SG-1



REPLACEMENT PARTS - A-VMH30SG-1

Location	Part Name	Quantity	Part No.
1	Left side plate assembly of cabinet	1	12222000006665
1.1	Small handle	1	12100701000033
2	Condenser Assembly	1	15822000011928
4	Rear right clapboard assembly	1	12222000006664
5	Big handle assembly	1	12222000011086
6	Water collector	1	12122200002695
7	Front right clapboard assembly	1	12222500A00135
7.1	handle	1	12100702000038
9	Chassis assembly	1	12222000004018
10	Front panel	1	12222000A01431
11	Air outlet grille	1	12222000014845
12	Axial flow fan	1	12100105000084
13	Brushless DC Motor	1	11002015000247
14	Supporter subassembly of fan motor	1	12222000005162
16	Partition board assembly	1	12222000012328
18	Top cover assembly	1	12222500000587
19	Electronic control box subassembly	1	17222000037709
19.1	Cover of electronic control box	1	12122000025662
19.2	Outdoor main control board subassembly	1	17122000051183
20	Terminal board subassembly	1	17222000036685
20.1	Terminal	1	17400401000068
20.2	Electronic installing box subassembly	1	12222000012985
20.2.1	U-Typed Support with Copper Pipe	1	12122000024381
21	4-way valve assembly	1	15422000004892
21.1	Gas valve	1	15500204000025
21.2	4-way valve	1	15500216000361
21.4	Suction pipe	1	15122000010254
21.5	Discharge pipe	1	15122000010256
21.6	Muffler	1	15500506000007
22	Liquid valve assembly	1	15422000019472
22.1	Liquid valve	1	15500208000286
22.3	Valve plate	1	12222200002110
22.4	Throttle valve	1	15500210002108
24	Copper nut	1	15500406000010
24	Copper nut	1	15500406000003
25	Rear net	1	12222000006604
26	DC Inverter Rotary Compressor	1	11103020000559
38	Crankcase electric heater	1	17402001000601
39	Electric heating tube	1	17402002000466
41	Drain pipe	1	12100509000059
43	Radiator subassembly	1	15122000026020
46	Cover of electronic control box	1	12122000016029
47	Combination sensor	1	11201011000188
50	Electronic expansion valve subassembly	1	15422000017858
50.1	Electronic expansion valve body	1	15500213000265
99	Compressor wire subassembly	1	17401203000751

EXPLODED VIEW - B-VMH30SG-1



REPLACEMENT PARTS - B-VMH30SG-1

Location	Part Name	Quantity	Part No.
1	Panel assembly	1	12122000027825
2	Horizontal louver	1	12122000027414
3	Display box subassembly	1	17222000A63823
3.1	Display board subassembly	1	17122000050213
3.2	Room Temperature Sensor	1	11201007003103
3.3	Display box	1	12122000026921
5	Chassis support I	1	12122000027407
6	Panel frame assembly	1	12122000A85043
7	Filter filter subassembly	1	12122000027419
8	Evaporator assembly	1	15822000A18564
9	pipe clamp board	1	12122000027408
10	Fixing board of fan motor	2	12122000012959
11	Brushless DC Motor	1	11002015008646
12	Bearing holder	1	12122000000350
13	Bearing components	1	12622000000131
14	Cross flow fan	1	12100102000716
15	Chassis assembly(above)	1	12122000027405
16	Chassis assembly(below)	1	12122000027841
16.1	Horizontal louver	6	12122000027421
16.1	Horizontal louver	6	12122000027423
16.2	Stepper motor	1	11002010001486
16.3	Drain hose	1	12100501000032
16.4	Protective wire	1	12922000002131
16.5	Connecting rod of louver	1	12122000027422
17	Installation plate subassembly	1	12222000A06972
19	Cover of electronic control box subassembly	1	12122000027418
20	Electronic control box subassembly (Mid-and low-end)	1	17222000033617
20.1	Electronic control box subassembly	1	12122000027403
20.2	Main control board subassembly	1	17122000051264
20.3	Pipe Temperature Sensor	1	11201007003444
20.4	Wire joint	1	17400401000577
20.7	Electrical Control Box holder	1	12122000027404
21	Remote controller	1	17317000A63584
22	seal ring	1	12600701000039
23	Drain hose	1	12100509000061
40	Air freshening filter	2	12100206000056
42	Detection valve	1	15500209000002
45	Bracket of remote Controller	1	12122000029201
46	Copper nut	1	15500406000010
46	Copper nut	1	15500406000003

Due to ongoing product improvements, specifications and dimensions are subject to change and correction without notice or incurring obligations. Determining the application and suitability for use of any product is the responsibility of the installer. Additionally, the installer is responsible for verifying dimensional data on the actual product prior to beginning any installation preparations.

Incentive and rebate programs have precise requirements as to product performance and certification. All products meet applicable regulations in effect on date of manufacture; however, certifications are not necessarily granted for the life of a product. Therefore, it is the responsibility of the applicant to determine whether a specific model qualifies for these incentive/rebate programs.



1900 Wellworth Ave., Jackson, MI 49203 • Ph. 517-787-2100 • www.comfort-aire.com • www.century-hvac.com



www.marsdelivers.com • www.heatcontroller.com